

D150-S

User Manual (Version 1.0)

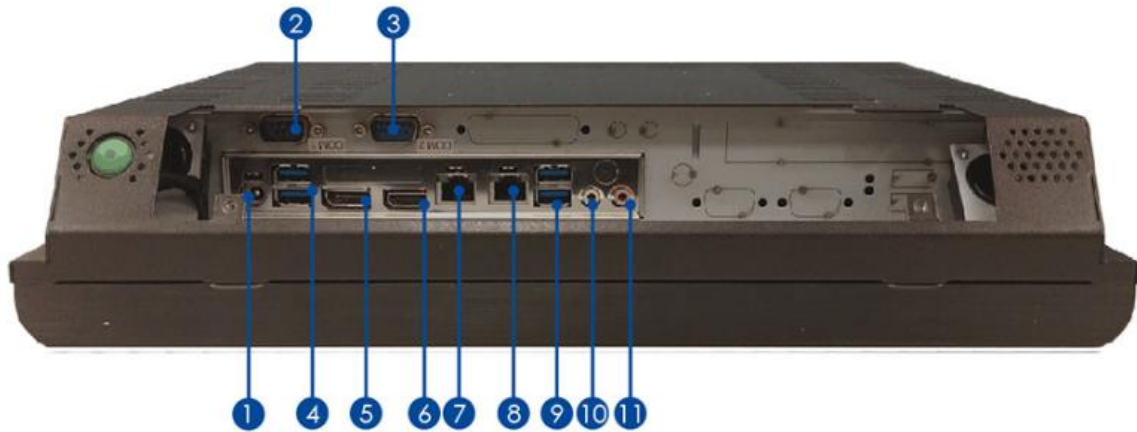
Front View



Rear View



Bottom View



1 +++ DC Jack

2 COM

3 COM

4 USB 3.0

5  DisplayPort

6  HDMI

7  Giga LAN

8  Giga LAN

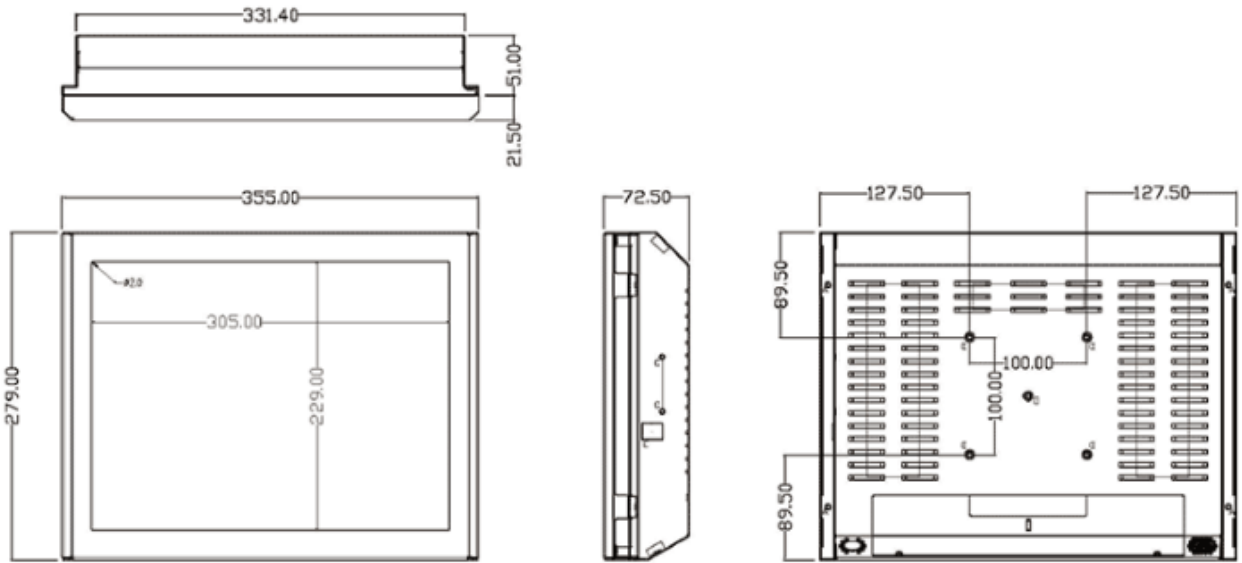
9  USB 3.0

10  Line-out

11  Mic-in

Mechanical Dimension

D150-B dimension: 355 x 279 x 72.5 mm



VESA mounting: 100 x 100 mm

Product Specifications

MECHANICAL	MOUNTING	VESA 100 / Stand
	DIMENSIONS (W X D X H)	280 x 355 x 55 mm
	WEIGHT	5kg (11.1 lb)
LCD	DISPLAY TYPE	15" TFT-LCD
	MAX. RESOLUTION	1024 x 768
	MAX. COLORS	16M (8 bit / color)
	LUMINANCE (cd/m ²)	350
	VIEWING ANGLE (H/V)	160° / 145°
	LED BACKLIGHT LIFETIME (hrs)	50,000
	TOUCH SCREEN	TYPE
TOUCH SCREEN		single point
SYSTEM	PROCESSOR	7 / 6th Gen Intel® Kaby Lake / Skylake LGA1151 Socket Processor, TDP Max. 35W
	CHIPSET	Intel® Q170 (Support RAID 0 / 1 / 5 / 10)
	SYSTEM MEMORY	DDR4 2133 / 2400MHz / 2 x 260-pin SO-DIMM / Max. 32GB (Non-ECC)
	ETHERNET	Intel® I219-LM Giga LAN + Intel® I211-AT Giga LAN
	I/O PORT	2 x RS232 / 2 x RJ45 / 1 x DisplayPort 1.2 / 1 x DC Jack / 4 x USB 3.0 / 1 x HDMI 1.4 / 1 x Line-out / 1 x Mic-in

	EXPANSION SLOT	Mini PCIe Half size (PCIe / USB) / Mini PCIe Full size (PCIe / USB / SATA)
	STORAGE	1 x SATA 2.5" HDD / SSD bay
	STEREO SPEAKER	2 x 2W
	OS SUPPORT	7th Gen Kaby Lake: Windows 10 64bit, Linux (support by request) / 6th Gen Skylake: Windows 7 32 / 64bit
	WATCHDOG TIMER	1~255 steps by software program
POWER REQUIREMENT	POWER INPUT	12V DC-in Jack (Default)
	POWER ADAPTER	84W adapter / DC12V / 7A / AC / DC
ENVIRONMENTAL	OPERATING TEMPERATURE	-20~50°C (4 ~ 122°F)
	STORAGE TEMPERATURE	-20 ~ 70°C (-4 ~158°F)
	STORAGE HUMIDITY	10% ~ 90% @40°C non-condensing
	VIBRATION RESISTANCE	Operating Random vibration Test 5-500Hz, 0.3 Grms@with HDD
	SHOCK RESISTANCE	Operating 50 G peak (3 ms duration)
	EMC	CE / FCC Class A
	FRONT PANEL PROTECTION	IP65 Compliant

Quick Installation Guide



Remove cover screws



Reverse Unit and Remove front cover



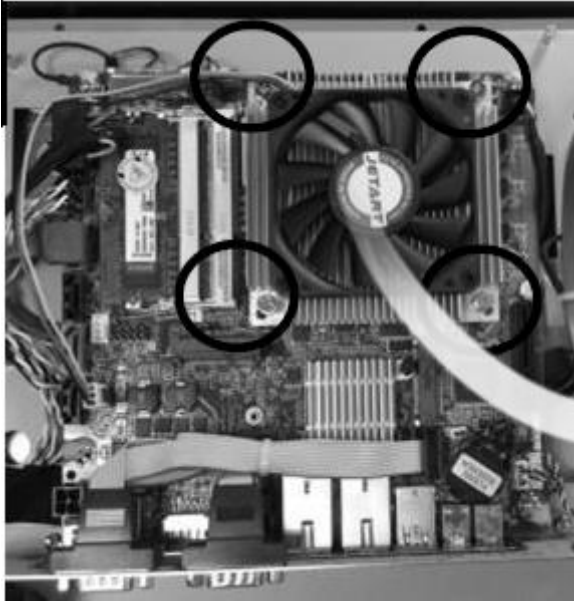
Remove 6 panel screws



Separate system module by lifting



Install HDD & memory



CPU cooler installation



Assemble LCD module



Fix 6 panel screws



Assemble front cover



Secure Cover Screws

BIOS Information

1. MAIN PAGE

Main	Advanced	Chipset	Security	Boot	Save & Exit
BIOS Information BIOS Vendor American Megatrends Core Version 5.12 Compliancy UEFI 2.4 ; PI 1.4 BIOS Version D7580X01 Build Date 10/21/2016 Processor Information Intel(R) CORE(TM) [CPU NAME] @ [CPU Freq.] GHZ Total Memory 8192 MB Memory Frequency 2133 MHz System Date [Mon mm/dd/yyyy] System Time [hh:mm:ss]					Item help →←: Select Screen ↑↓: Select Item Enter: Select +/- : Change Opt. F1: General Help F2: Previous Values F3: Optimized Defaults F4: Save & Reset ESC: Exit
Version 2.18.1263. Copyright (C) 2016 American Megatrends, Inc.					

Field Name	BIOS Vendor
Default Value	American Megatrends
Comment	This field is not selectable. There is no help text associated with it.

Field Name	Core Version
Default Value	5.12
Comment	This field is not selectable. There is no help text associated with it.

Field Name	Compliancy
Default Value	UEFI 2.4 ; PI 1.3
Comment	This field is not selectable. There is no help text associated with it.

Field Name	BIOS Version
Default Value	Display the version of the BIOS
Comment	This field is not selectable. There is no help text associated with it.

Field Name	Build Date
Default Value	Display build date of the BIOS
Comment	This field is not selectable. There is no help text associated with it.

Field Name	Processor Information
Value	Display the installed CPU brand.
Comment	This field is not selectable. There is no help text associated with it.

Field Name	Total Memory
Value	Display the installed memory size.
Comment	This field is not selectable. There is no help text associated with it.

Field Name	Memory Frequency
Value	Display the installed memory frequency.
Comment	This field is not selectable. There is no help text associated with it.

Field Name	System Date
Default Value	[xxx, mm dd yyyy]
Possible Value	[xxx, xx:xx:xxxx]
Help	Set the Date. Use Tab to switch between Date elements.

Field Name	System Time
Default Value	[hh :mm :ss]
Possible Value	[xx :xx :xx]
Help	Set the Time. Use Tab to switch between Time elements.

2. ADVANCED PAGE

Main	Advanced	Chipset	Security	Boot	Save & Exit
<ul style="list-style-type: none"> ▶ CPU Configuration ▶ Power & Performance ▶ PCH-FW Configuration ▶ Trusted Computing ▶ ACPI Settings ▶ SMART Settings ▶ SIO Configuration ▶ S5 RTC Wake Settings ▶ AMI Graphic Output Protocol Policy ▶ Network Stack Configuration ▶ CSM Configuration ▶ USB Configuration 					<p style="text-align: center;">Item help</p> <p>→←: Select Screen ↑↓: Select Item Enter: Select +/- : Change Opt F1: General Help F2: Previous Values F3: Optimized Defaults F4: Save & Reset ESC: Exit</p>
Version 2.18.1263. Copyright (C) 2016 American Megatrends, Inc.					

Field Name	CPU Configuration
Help	CPU Configuration Parameters
Comment	Press Enter when selected to go into the associated Sub-Menu.

Field Name	Power & Performance
Help	Power & Performance Options
Comment	Press Enter when selected to go into the associated Sub-Menu.

Field Name	PCH-FW Configuration
Help	Configure Management Engine Technology Parameters
Comment	Press Enter when selected to go into the associated Sub-Menu.

Field Name	Trusted Computing
Help	Trusted Computing Settings
Comment	Press Enter when selected to go into the associated Sub-Menu.

Field Name	ACPI Settings
Help	System ACPI Parameters.
Comment	Press Enter when selected to go into the associated Sub-Menu.

Field Name	SMART Settings
Help	System SMART Settings.
Comment	Press Enter when selected to go into the associated Sub-Menu.

Field Name	SIO Configuration
Help	System Super IO Chip Parameters.
Comment	Press Enter when selected to go into the associated Sub-Menu.

Field Name	S5 RTC Wake Settings
------------	-----------------------------

Help	Enable system to wake from S5 using RTC alarm
Comment	Press Enter when selected to go into the associated Sub-Menu.

Field Name	AMI Graphic Output Protocol Policy
Help	User Select Monitor Output by Graphic Output Protocol
Comment	Press Enter when selected to go into the associated Sub-Menu.

Field Name	Network Stack Configuration
Help	Network Stack Settings.
Comment	Press Enter when selected to go into the associated Sub-Menu.

Field Name	CSM Configuration
Help	CSM configuration: Enable/Disable, Option Rom execution setting, etc.
Comment	Press Enter when selected to go into the associated Sub-Menu.

Field Name	USB Configuration
Help	USB Configuration Parameters.
Comment	Press Enter when selected to go into the associated Sub-Menu.

2.1 CPU CONFIGURATION

Main	Advanced	Chipset	Security	Boot	Save & Exit	
CPU Configuration					Item help	
Type	Intel(R) Core(TM) CPU [CPU NAME] @ [CPU Freq.] GHz					
ID	0x906E9					
Speed	2800 MHz					
L1 Data Cache	32 KB x 4					
L1 Instruction Cache	32 KB x 4					
L2 Cache	256 KB x 4					
L3 Cache	6MB					
L4 Cache	N/A					
VMX	Supported				→←: Select Screen ↑↓: Select Item Enter: Select +/- : Change Opt F1: General Help F2: Previous Values F3: Optimized Defaults F4: Save & Reset ESC: Exit	
SMX/TXT	Supported					
Hardware Prefetcher	[Enabled]					
Adjacent Cache Line Prefetch	[Enabled]					
Intel (VMX) Virtualization Technology	[Enabled]					
Active Processor Cores	[All]					
Hyper-threading	[Enabled]					
Intel Trusted Execution Technology	[Disabled]					
Version 2.18.1263. Copyright (C) 2016 American Megatrends, Inc.						

Field Name	Type
Default Value	Displays the Processor Type.
Comment	This field is not selectable. There is no help text associated with it.

Field Name	ID
Default Value	Displays the Processor ID.
Comment	This field is not selectable. There is no help text associated with it.

Field Name	Speed
Default Value	Displays the Processor Speed.
Comment	This field is not selectable. There is no help text associated with it.

Field Name	L1 Data Cache
Default Value	Displays the Processor L1 Data Cache size.
Comment	This field is not selectable. There is no help text associated with it.

Field Name	L1 Instruction Cache
Default Value	Displays the Processor L1 Instruction Cache size.
Comment	This field is not selectable. There is no help text associated with it.

Field Name	L2 Cache
Default Value	Displays the Processor L2 Cache size.
Comment	This field is not selectable. There is no help text associated with it.

Field Name	L3 Cache
Default Value	Displays the Processor L3 Cache size.
Comment	This field is not selectable. There is no help text associated with it.

Field Name	L4 Cache
Default Value	Displays the Processor L4 eDRAM size.
Comment	This field is not selectable. There is no help text associated with it.

Field Name	VMX
Default Value	VMX Supported or Not
Comment	This field is not selectable. There is no help text associated with it.

Field Name	SMX/TXT
Default Value	SMX/TXT Supported or Not
Comment	This field is not selectable. There is no help text associated with it.

Field Name	Hardware Prefetcher
Default Value	[Enabled]
Possible Value	Enabled Disabled
Help	To turn on/off the MLC streamer prefetcher.

Field Name	Adjacent Cache Line Prefetch
Default Value	[Enabled]
Possible Value	Enabled Disabled
Help	To turn on/off prefetching of adjacent cache lines.

Field Name	Intel (VMX) Virtualization Technology
Default Value	[Enabled]
Possible Value	Enabled Disabled
Help	When enabled, a VMM can utilize the additional hardware capabilities provided by Vanderpool Technology.

Field Name	Active Processor Cores
Default Value	[All]
Possible Value	All 1/2/3
Help	Number of cores to enable in each processor package.

Field Name	Hyper-threading
Default Value	[Enabled]
Possible Value	Enabled Disabled
Help	Enabled for Windows XP and Linux (OS optimized for Hyper-Threading Technology) and Disabled for other OS (OS not optimized for

	Hyper-Threading Technology).
--	------------------------------

Field Name	Intel Trusted Execution Technology
Default Value	[Disabled]
Possible Value	Disabled Enabled
Help	Enables utilization of additional hardware capabilities provided by Intel (R) Trusted Execution Technology.\n\nChanges require a full power cycle to take effect.

2.2 POWER & PERFORMANCE

Main	Advanced	Chipset	Boot	Security	Save & Exit
Power & Performance ▶ CPU – Power Management Control					Item help →←: Select Screen ↑↓: Select Item Enter: Select +/- : Change Opt F1: General Help F2: Previous Values F3: Optimized Defaults F4: Save & Reset ESC: Exit
Version 2.18.1263. Copyright (C) 2016 American Megatrends, Inc.					

Field Name	CPU – Power Management Control
Help	CPU – Power Management Control Options
Comment	Press Enter when selected to go into the associated Sub-Menu.

2.2.1 CPU- Power Management Control

Main	Advanced	Chipset	Boot	Security	Save & Exit
CPU- Power Management Control					Item help
Intel(R) SpeedStep(tm) [Enabled]					→←: Select Screen
Intel(R) Speed Shift Technology [Enabled]					↑↓: Select Item
Turbo Mode [Enabled]					Enter: Select
C states [Enabled]					+/- : Change Opt
Enhanced C-states [Enabled]					F1: General Help
Package C State Limit [Auto]					F2: Previous Values
					F3: Optimized Defaults
					F4: Save & Reset
					ESC: Exit
Version 2.18.1263. Copyright (C) 2016 American Megatrends, Inc.					

Field Name	Intel(R) SpeedStep(tm)
Default Value	[Enabled]
Possible Value	Enabled Disabled
Help	Allows more than two frequency ranges to be supported.

Field Name	Intel(R) Speed Shift Technology
Default Value	[Enabled]
Possible Value	Enabled Disabled
Help	Enable/Disable Intel(R) Speed Shift Technology support. Enabling will expose the CPPC v2 interface to allow for hardware controlled P-states.

Field Name	Turbo Mode
Default Value	[Enabled]
Possible Value	Enabled Disabled
Help	Enable/Disable processor Turbo Mode (requires EMTTM enabled too). AUTO means enabled, unless max turbo ratio is bigger than 16 - SKL A0 W/A

Field Name	CPU C states
Default Value	[Enabled]
Possible Value	Enabled Disabled
Help	Enable/Disable CPU Power Management. Allows CPU to go to C states when it's not 100% utilized.

Field Name	Enhanced C-states
Default Value	[Enabled]

Possible Value	Enabled Disabled
Help	Enable/Disable C1E. When enabled, CPU will switch to minimum speed when all cores enter C-State.

Field Name	Package C state limit
Default Value	[Auto]
Possible Value	Auto Cpu Default C7S C7 C6 C3 C2 C0/C1
Help	Maximum Package C State Limit Setting. Cpu Default: Leaves to Factory default value.Auto: Initializes to deepest available Package C State Limit.

2.3 PCH-FW CONFIGURATION

Main	Advanced	Chipset	Boot	Security	Save & Exit																				
▶ AMT Configuration					<table border="1"> <thead> <tr> <th>Item</th> <th>help</th> </tr> </thead> <tbody> <tr> <td>→←:</td> <td>Select Screen</td> </tr> <tr> <td>↑↓:</td> <td>Select Item</td> </tr> <tr> <td>Enter:</td> <td>Select</td> </tr> <tr> <td>+/- :</td> <td>Change Opt</td> </tr> <tr> <td>F1:</td> <td>General Help</td> </tr> <tr> <td>F2:</td> <td>Previous Values</td> </tr> <tr> <td>F3:</td> <td>Optimized Defaults</td> </tr> <tr> <td>F4:</td> <td>Save & Reset</td> </tr> <tr> <td>ESC:</td> <td>Exit</td> </tr> </tbody> </table>	Item	help	→←:	Select Screen	↑↓:	Select Item	Enter:	Select	+/- :	Change Opt	F1:	General Help	F2:	Previous Values	F3:	Optimized Defaults	F4:	Save & Reset	ESC:	Exit
Item	help																								
→←:	Select Screen																								
↑↓:	Select Item																								
Enter:	Select																								
+/- :	Change Opt																								
F1:	General Help																								
F2:	Previous Values																								
F3:	Optimized Defaults																								
F4:	Save & Reset																								
ESC:	Exit																								
Version 2.18.1263. Copyright (C) 2016 American Megatrends, Inc.																									

Field Name	AMT Configuration
Help	Configure Intel(R) Active Management Technology Parameters
Comment	Press Enter when selected to go into the associated Sub-Menu.

2.3.1 AMT Configuration

Main	Advanced	Chipset	Boot	Security	Save & Exit	Item	help
				ASF support	[Enabled]		
				USB Provisioning of AMT	[Disabled]		
				▶ CIRA Configuration			
				▶ ASF Configuration			
				▶ Secure Erase Configuration			
						→←: Select Screen	
						↑↓: Select Item	
						Enter: Select	
						+/- : Change Opt	
						F1: General Help	
						F2: Previous Values	
						F3: Optimized Defaults	
						F4: Save & Reset	
						ESC: Exit	
Version 2.18.1263. Copyright (C) 2016 American Megatrends, Inc.							

Field Name	ASF support
Default Value	[Enabled]
Possible Value	Enabled Disabled
Help	Enable/Disable Alert Standard Format support.

Field Name	USB Provisioning of AMT
Default Value	[Disabled]
Possible Value	Enabled Disabled
Help	Enable/Disable of AMT USB Provisioning.

Field Name	CIRA Configuration
Help	Configure Remote Assistance Process parameters.
Comment	Press Enter when selected to go into the associated Sub-Menu.

Field Name	ASF Configuration
Help	Configure Alert Standard Format parameters.
Comment	Press Enter when selected to go into the associated Sub-Menu.

Field Name	Secure Erase Configuration
Help	Secure Erase configuration menu
Comment	Press Enter when selected to go into the associated Sub-Menu.

2.3.1.1 CIRA Configuration

Main	Advanced	Chipset	Boot	Security	Save & Exit
Activate Remote Assistance Process [Enabled] CIRA Timeout 0					Item help →←: Select Screen ↑↓: Select Item Enter: Select +/- : Change Opt F1: General Help F2: Previous Values F3: Optimized Defaults F4: Save & Reset ESC: Exit
Version 2.18.1263. Copyright (C) 2016 American Megatrends, Inc.					

Field Name	Activate Remote Assistance Process
Default Value	[Disabled]
Possible Value	Enabled Disabled
Help	Trigger CIRA boot Note: Network Access must be activated first from MEBx Setup.

Field Name	CIRA Timeout
Default Value	[0]
Possible Value	0~255
Help	OEM defined timeout for MPS connection to be established. 0 - use the default timeout value of 60 seconds. 255 - MEBx waits until the connection succeeds

2.3.1.2 ASF Configuration

Main	Advanced	Chipset	Boot	Security	Save & Exit
PET Progress				[Enabled]	Item help →←: Select Screen ↑↓: Select Item Enter: Select +/- : Change Opt F1: General Help F2: Previous Values F3: Optimized Defaults F4: Save & Reset ESC: Exit
WatchDog				[Disabled]	
OS Timer				0	
BIOS Timer				0	
Version 2.18.1263. Copyright (C) 2016 American Megatrends, Inc.					

Field Name	PET Progress
Default Value	[Enabled]
Possible Value	Enabled Disabled
Help	Enable/Disable PET Events Progress to receive PET Events.

Field Name	Activate Remote Assistance Process
Default Value	[Disabled]
Possible Value	Enabled Disabled
Help	Enable/Disable WatchDog Timer

Field Name	OS Timer
Default Value	[0]
Possible Value	0~65535
Help	Set OS watchdog timer

Field Name	BIOS Timer
Default Value	[0]
Possible Value	0~65535
Help	Set BIOS watchdog timer

2.3.1.3 Secure Erase Configuration

Main	Advanced	Chipset	Boot	Security	Save & Exit	
Secure Erase mode					[Simulated]	Item help
Force Secure Erase					[Disabled]	
						→←: Select Screen ↑↓: Select Item Enter: Select +/- : Change Opt F1: General Help F2: Previous Values F3: Optimized Defaults F4: Save & Reset ESC: Exit
Version 2.18.1263. Copyright (C) 2016 American Megatrends, Inc.						

Field Name	Secure Erase mode
Default Value	[Simulated]
Possible Value	Simulated Real
Help	Change Secure Erase module behavior: Simulated: Performs SE flow without erasing SSD Real: Erase SSD.

Field Name	Force Secure Erase
Default Value	[Disabled]
Possible Value	Enabled Disabled
Help	Force Secure Erase on next boot

2.4 TRUSTED COMPUTING

Main	Advanced	Chipset	Boot	Security	Save & Exit	
TPM20 Device Found					Item	help
Security Device Support					[Enable]	→←: Select Screen
Pending operation					[None]	↑↓: Select Item
TPM2.0 UEFI Spec Version					[TCG_2]	Enter: Select
						+/- : Change Opt
						F1: General Help
						F2: Previous Values
						F3: Optimized Defaults
						F4: Save & Reset
						ESC: Exit
Version 2.18.1263. Copyright (C) 2016 American Megatrends, Inc.						

Field Name	Security Device SUPPORT
Default Value	[Enable]
Possible Value	Enable Disable
Help	Enables or Disables BIOS support for security device. O.S. will not show Security Device. TCG EFI protocol and INT1A interface will not be available.

Field Name	Pending operation
Default Value	[None]
Possible Value	None TPM Clear
Help	Schedule an Operation for the Security Device. NOTE: Your Computer will reboot during restart in order to change State of Security Device.

Field Name	Security Device SUPPORT
Default Value	[TCG_2]
Possible Value	TCG_1_2 TCG_2
Help	Select the TCG2 Spec Version Support, TCG_1_2: the Compatible mode for Win8/Win10, TCG_2: Support new TCG2 protocol and event format for Win10 or later

2.5 ACPI SETTINGS

Main	Advanced	Chipset	Boot	Security	Save & Exit
ACPI Settings					Item help
Enable ACPI Auto Configuration					[Disabled]
Enable Hibernation					[Enabled]
ACPI Sleep State					[S3 (Suspend to RAM)]
					→←: Select Screen ↑↓: Select Item Enter: Select +/- : Change Opt F1: General Help F2: Previous Values F3: Optimized Defaults F4: Save & Reset ESC: Exit
Version 2.18.1263. Copyright (C) 2016 American Megatrends, Inc.					

Field Name	Enable ACPI Auto Configuration
Default Value	[Disabled]
Possible Value	Enabled Disabled
Help	Enables or Disables BIOS ACPI Auto Configuration.

Field Name	Enable Hibernation
Default Value	[Enabled]
Possible Value	Enabled Disabled
Help	Enables or Disables System ability to Hibernate (OS/S4 Sleep State). This option may not be effective with some operating systems.

Field Name	ACPI Sleep State
Default Value	[S3 (Suspend to RAM)]
Possible Value	Suspend Disabled S3 (Suspend to RAM)
Help	Select the highest ACPI sleep state the system will enter when the SUSPEND button is pressed.

2.6 SMART SETTINGS

Main	Advanced	Chipset	Security	Boot	Save & Exit
SMART Settings SMART Self Test [Disabled]					Item help →←: Select Screen ↑↓: Select Item Enter: Select +/- : Change Opt F1: General Help F2: Previous Values F3: Optimized Defaults F4: Save & Reset ESC: Exit
Version 2.18.1263. Copyright (C) 2016 American Megatrends, Inc.					

Field Name	SMART Self Test
Default Value	[Disabled]
Possible Value	Disabled Enabled
Help	Run SMART Self Test on all HDDs during POST.

2.7 SUPER IO CONFIGURATION

Main	Advanced	Chipset	Security	Boot	Save & Exit
SIO Configuration					Item help
Super IO Chip NCT6104D ▶ Serial Port 1 Configuration ▶ Serial Port 2 Configuration ▶ Serial Port 3 Configuration ▶ Serial Port 4 Configuration ▶ Parallel Port Configuration					→←-: Select Screen ↑↓: Select Item Enter: Select +/- : Change Opt F1: General Help F2: Previous Values F3: Optimized Defaults F4: Save & Reset ESC: Exit
Version 2.18.1263. Copyright (C) 2016 American Megatrends, Inc.					

Field Name	Serial Port 1 Configuration
Help	Set Parameters of Serial Port 1 (COMC)
Comment	Press Enter when selected to go into the associated Sub-Menu.

Field Name	Serial Port 2 Configuration
Help	Set Parameters of Serial Port 2 (COMD)
Comment	Press Enter when selected to go into the associated Sub-Menu.

Field Name	Serial Port 3 Configuration
Help	Set Parameters of Serial Port 3 (COME)
Comment	Press Enter when selected to go into the associated Sub-Menu.

Field Name	Serial Port 4 Configuration
Help	Set Parameters of Serial Port 4 (COMA)
Comment	Press Enter when selected to go into the associated Sub-Menu.

Field Name	Parallel Port Configuration
Help	Set Parameters of Parallel Port (LPT/LPTE)
Comment	Press Enter when selected to go into the associated Sub-Menu.

2.7.1 Serial Port 1 Configuration

Main	Advanced	Chipset	Security	Boot	Save & Exit
Serial Port 1 Configuration					Item help
Serial Port				[Enabled]	→←: Select Screen ↑ ↓ : Select Item Enter: Select +/- : Change Opt F1: General Help F2: Previous Values F3: Optimized Defaults F4: Save & Reset ESC: Exit
Device Settings				IO=2F8h; IRQ=3;	
Change Settings				[Auto]	
Version 2.18.1263. Copyright (C) 2016 American Megatrends, Inc.					

Field Name	Serial Port
Default Value	[Enabled]
Possible Value	Disabled Enabled
Help	Enable or Disable Serial Port(COM)

Field Name	Device Settings
Default Value	Device Super IO COM1 Address and IRQ.
Comment	This field is not selectable. There is no help text associated with it.

Field Name	Change Settings
Default Value	[Auto]
Possible Value	Auto IO=2F8h; IRQ=3; IO=3F8h; IRQ=3,4,5,6,7,9,10,11,12; IO=2F8h; IRQ=3,4,5,6,7,9,10,11,12; IO=3E8h; IRQ=3,4,5,6,7,9,10,11,12; IO=2E8h; IRQ=3,4,5,6,7,9,10,11,12;
Help	Select an optimal settings for Super IO Device

2.7.2 Serial Port 2 Configuration

Main	Advanced	Chipset	Security	Boot	Save & Exit
Serial Port 2 Configuration					Item help
Serial Port				[Enabled]	→←: Select Screen ↑ ↓ : Select Item Enter: Select +/- : Change Opt F1: General Help F2: Previous Values F3: Optimized Defaults F4: Save & Reset ESC: Exit
Device Settings				IO=3E8h; IRQ=7;	
Change Settings				[Auto]	
Version 2.18.1263. Copyright (C) 2016 American Megatrends, Inc.					

Field Name	Serial Port
Default Value	[Enabled]
Possible Value	Disabled Enabled
Help	Enable or Disable Serial Port(COM)

Field Name	Device Settings
Default Value	Device Super IO COM2 Address and IRQ.
Comment	This field is not selectable. There is no help text associated with it.

Field Name	Change Settings
Default Value	[Auto]
Possible Value	Auto IO=3E8h; IRQ=7; IO=3E8h; IRQ=3,4,5,6,7,9,10,11,12; IO=2E8h; IRQ=3,4,5,6,7,9,10,11,12; IO=2F0h; IRQ=3,4,5,6,7,9,10,11,12; IO=2E0h; IRQ=3,4,5,6,7,9,10,11,12;
Help	Select an optimal settings for Super IO Device

2.7.3 Serial Port 3 Configuration

Main	Advanced	Chipset	Security	Boot	Save & Exit
Serial Port 3 Configuration					Item help
Serial Port				[Enabled]	→←: Select Screen ↑ ↓ : Select Item Enter: Select +/- : Change Opt F1: General Help F2: Previous Values F3: Optimized Defaults F4: Save & Reset ESC: Exit
Device Settings				IO=2E8; IRQ=7;	
Change Settings				[Auto]	
Version 2.18.1263. Copyright (C) 2016 American Megatrends, Inc.					

Field Name	Serial Port
Default Value	[Enabled]
Possible Value	Disabled Enabled
Help	Enable or Disable Serial Port(COM)

Field Name	Device Settings
Default Value	Device Super IO COM3 Address and IRQ.
Comment	This field is not selectable. There is no help text associated with it.

Field Name	Change Settings
Default Value	[Auto]
Possible Value	Auto IO=2E8h; IRQ=7; IO=2E8h; IRQ=3,4,5,6,7,9,10,11,12; IO=3E8h; IRQ=3,4,5,6,7,9,10,11,12; IO=2F0h; IRQ=3,4,5,6,7,9,10,11,12; IO=3F0h; IRQ=3,4,5,6,7,9,10,11,12;
Help	Select an optimal settings for Super IO Device

2.7.4 Serial Port 4 Configuration

Main	Advanced	Chipset	Security	Boot	Save & Exit
Serial Port 4 Configuration					Item help
Serial Port				[Enabled]	→←: Select Screen ↑ ↓ : Select Item Enter: Select +/- : Change Opt F1: General Help F2: Previous Values F3: Optimized Defaults F4: Save & Reset ESC: Exit
Device Settings				IO=3F8; IRQ=4;	
Change Settings				[Auto]	
Version 2.18.1263 Copyright (C) 2016 American Megatrends, Inc.					

Field Name	Serial Port
Default Value	[Enabled]
Possible Value	Disabled Enabled
Help	Enable or Disable Serial Port(COM)

Field Name	Device Settings
Default Value	Device Super IO COM4 Address and IRQ.
Comment	This field is not selectable. There is no help text associated with it.

Field Name	Change Settings
Default Value	[Auto]
Possible Value	Auto IO=3F8h; IRQ=4; IO=3F8h; IRQ=3,4,5,6,7,9,10,11,12; IO=2F8h; IRQ=3,4,5,6,7,9,10,11,12; IO=3E8h; IRQ=3,4,5,6,7,9,10,11,12; IO=2E8h; IRQ=3,4,5,6,7,9,10,11,12;
Help	Select an optimal settings for Super IO Device

2.7.5 Parallel Port Configuration

Main	Advanced	Chipset	Security	Boot	Save & Exit
Parallel Port Configuration					Item help
Parallel Port [Enabled]					→←: Select Screen ↑ ↓ : Select Item Enter: Select +/- : Change Opt F1: General Help F2: Previous Values F3: Optimized Defaults F4: Save & Reset ESC: Exit
Device Settings IO=378h; IRQ=5					
Change Settings [Auto]					
Device Mode [STD Printer Mode]					
Version 2.18.1263. Copyright (C) 2016 American Megatrends, Inc.					

Field Name	Parallel Port
Default Value	[Enabled]
Possible Value	Disabled Enabled
Help	Enable or Disable Parallel Port(LPT/LPTE)

Field Name	Device Settings
Default Value	Device Super IO Parallel Port Address/IRQ.
Comment	This field is not selectable. There is no help text associated with it.

Field Name	Change Settings
Default Value	[Auto]
Possible Value	Auto IO=378h; IRQ=5; IO=378h; IRQ=5,6,7,9,10,11,12; IO=278h; IRQ=5,6,7,9,10,11,12; IO=3BCh; IRQ=5,6,7,9,10,11,12;
Help	Select an optimal settings for Super IO Device

Field Name	Device Mode
Default Value	[STD Printer Mode]
Possible Value	STD Printer Mode SPP Mode EPP-1.9 and SPP Mode
Help	Change the Printer Port mode

2.8 S5 RTC WAKE SETTINGS

Main	Advanced	Chipset	Boot	Security	Save & Exit	Item help
				Wake system with Fixed Time	[Disable]	
				Wake up hour	0	
				Wake up minute	0	
				Wake up second	0	
				Wake up minute increase	1	
						→←: Select Screen ↑↓: Select Item Enter: Select +/- : Change Opt F1: General Help F2: Previous Values F3: Optimized Defaults F4: Save & Reset ESC: Exit
Version 2.18.1263. Copyright (C) 2012 American Megatrends, Inc.						

Field Name	Wake system from S5
Default Value	[Disabled]
Possible Value	Disabled Fixed Time Dynamic Time
Help	Enable or disable System wake on alarm event. Select FixedTime, system will wake on the hr::min::sec specified. Select DynamicTime , System will wake on the current time + Increase minute(s)

Field Name	Wake up hour
Default Value	[0]
Possible Value	0-23
Help	Select 0-23 For example enter 3 for 3am and 15 for 3pm

Field Name	Wake up minute
Default Value	[0]
Possible Value	0-59
Help	Select 0 – 59 for Minute

Field Name	Wake up second
Default Value	[0]
Possible Value	0 - 59
Help	Select 0 – 59 for Second

Field Name	Wake up minute increase
Default Value	[0]
Possible Value	0 - 59
Help	1 – 5

2.9 AMI GRAPHIC OUTPUT PROTOCOL POLICY

Main	Advanced	Chipset	Security	Boot	Save & Exit
Intel (R) Graphics Controller Intel (R) GOP Driver [9.0.1056]					Item help
Output Select [Output Devices]					→←: Select Screen ↑↓: Select Item Enter: Select +/- : Change Opt F1: General Help F2: Previous Values F3: Optimized Defaults F4: Save & Reset ESC: Exit
Version 2.18.1263. Copyright (C) 2016 American Megatrends, Inc.					

Field Name	Display Device Driver Version Information
Default Value	By Graphic card
Possible Value	By Graphic card
Help	NA

Field Name	Output Select
Default Value	EDP1
Possible Value	EDP1 DP1 HDMI3
Help	Output Interface

2.10 NETWORK STACK CONFIGURATION

Main	Advanced	Chipset	Security	Boot	Save & Exit
<p>Network stack [Enabled]</p> <p>Ipv4 PXE Support [Enabled]</p> <p>Ipv6 PXE Support [Enabled]</p>					<p>Item help</p> <hr/> <p>→←: Select Screen</p> <p>↑↓: Select Item</p> <p>Enter: Select</p> <p>+/- : Change Opt</p> <p>F1: General Help</p> <p>F2: Previous Values</p> <p>F3: Optimized Defaults</p> <p>F4: Save & Reset</p> <p>ESC: Exit</p>
Version 2.18.1263. Copyright (C) 2016 American Megatrends, Inc.					

Field Name	Network stack
Default Value	[Disabled]
Possible Value	Disabled Enabled
Help	Enable/Disable UEFI Network stack.

Field Name	Ipv4 PXE Support
Default Value	[Disabled]
Possible Value	Disabled Enabled
Help	Enable Ipv4 PXE Boot Support. If disabled IPV4 PXE boot option will not be created.

Field Name	Ipv4 HTTP Support
Default Value	[Disabled]
Possible Value	Disabled Enabled
Help	Enable Ipv4 HTTP Boot Support. If disabled IPV4 HTTP boot option will not be created.

Field Name	Ipv6 PXE Support
Default Value	[Disabled]
Possible Value	Disabled Enabled
Help	Enable Ipv6 PXE Boot Support. If disabled IPV6 PXE boot option will not be created.

Field Name	Ipv6 HTTP Support
Default Value	[Disabled]
Possible Value	Disabled Enabled
Help	Enable Ipv6 HTTP Boot Support. If disabled IPV6 HTTP boot option will not be created.

2.11 CSM CONFIGURATION

Main	Advanced	Chipset	Security	Boot	Save & Exit	
Compatibility Support Module Configuration					Item	help
CSM Support				[Disabled]		
CSM16 Module Version				00.20		
Option Rom execution						
Network				[Do not launch]		→←: Select Screen
Storage				[UEFI]		↑↓: Select Item
Video				[UEFI]		Enter: Select
Other PCI devices				[UEFI]		+/- : Change Opt
						F1: General Help
						F2: Previous Values
						F3: Optimized Defaults
						F4: Save & Reset
						ESC: Exit
Version 2.18.1263. Copyright (C) 2016 American Megatrends, Inc.						

Field Name	CSM support
Default Value	[Disabled]
Possible Value	Disabled Enabled
Help	Enable/Disable CSM Support.

Field Name	CSM16 Module Version
Default Value	00.20
Comment	This field is not selectable. There is no help text associated with it.

Field Name	Network
Default Value	[DO not launch]
Possible Value	DO not launch UEFI Legacy
Help	Controls the execution of UEFI and Legacy PXE OpROM.

Field Name	Storage
Default Value	[UEFI]
Possible Value	DO not launch UEFI Legacy
Help	Controls the execution of UEFI and Legacy Storage OpROM.

Field Name	Video
Default Value	[UEFI]

Possible Value	UEFI Legacy
Help	Controls the execution of UEFI and Legacy Video OpROM.

Field Name	Other PCI devices
Default Value	[UEFI]
Possible Value	DO not launch UEFI Legacy
Help	Determines OpROM execution policy for devices other than Network, Storage, or Video.

2.12 USB CONFIGURATION

Main	Advanced	Chipset	Security	Boot	Save & Exit
USB Configuration					Item help
USB Devices: 1 Keyboard, 1 Mouse					
Legacy USB Support [Enabled] XHCI Hand-off [Enabled] USB Mass Storage Driver Support [Enabled] Port 60/64 Emulation [Disabled]					→←: Select Screen ↑↓: Select Item Enter: Select +/- : Change Opt F1: General Help F2: Previous Values F3: Optimized Defaults F4: Save & Reset ESC: Exit
Version 2.18.1263. Copyright (C) 2016 American Megatrends, Inc.					

Field Name	USB Devices:
Default Value	Connected USB devices
Comment	This field is not selectable. There is no help text associated with it.

Field Name	Legacy USB Support
Default Value	[Enabled]
Possible Value	Disabled Enabled Auto
Help	Enables Legacy USB support. AUTO option disables legacy support if no USB devices are connected. DISABLE option will keep USB device available only for EFI applications.

Field Name	XHCI Hand-off
Default Value	[Enabled]
Possible Value	Disabled Enabled
Help	This is a workaround for OSes without XHCI hand-off support. The XHCI ownership change should be claimed by XHCI driver.

Field Name	USB Mass Storage Driver Support
Default Value	[Enabled]
Possible Value	Disabled Enabled
Help	Enable/Disable USB Mass Storage Driver Support.

Field Name	Port 60/64 Emulation
Default Value	[Disabled]

Possible Value	Disabled Enabled
Help	Enables I/O port 60h/64h emulation support. This should be enabled for the complete USB keyboard legacy support for non-USB aware OSes.

3. CHIPSET PAGE

Main	Advanced	Chipset	Security	Boot	Save & Exit
<ul style="list-style-type: none"> ▶ System Agent (SA) Configuration ▶ PCH-IO Configuration 					Item help
					→←: Select Screen ↑↓: Select Item Enter: Select +/- : Change Opt F1: General Help F2: Previous Values F3: Optimized Defaults F4: Save & Reset ESC: Exit
Version 2.18.1263. Copyright (C) 2016 American Megatrends, Inc.					

Field Name	System Agent (SA) Configuration
Help	System Agent (SA) Parameters
Comment	Press Enter when selected to go into the associated Sub-Menu.

Field Name	PCH-IO Configuration
Help	PCH Parameters
Comment	Press Enter when selected to go into the associated Sub-Menu.

3.1 SYSTEM AGENT (SA) CONFIGURATION

Main	Advanced	Chipset	Security	Boot	Save & Exit
<ul style="list-style-type: none"> ▶ Memory Configuration ▶ Graphics Configuration 					<p>Item help</p> <p>→←: Select Screen ↑↓: Select Item Enter: Select +/- : Change Opt F1: General Help F2: Previous Values F3: Optimized Defaults F4: Save & Reset ESC: Exit</p>
Version 2.18.1263. Copyright (C) 2016 American Megatrends, Inc.					

Field Name	Memory Configuration
Help	Memory Configuration Parameters
Comment	Press Enter when selected to go into the associated Sub-Menu.

Field Name	Graphics Configuration
Help	Graphics Configuration
Comment	Press Enter when selected to go into the associated Sub-Menu.

3.1.1 Memory Configuration

Main	Advanced	Chipset	Boot	Security	Save & Exit
Channel 0 Slot 0 Size			Populated & Enabled 8192 (DDR4)		Item help →←: Select Screen ↑↓: Select Item Enter: Select +/- : Change Opt F1: General Help F2: Previous Values F3: Optimized Defaults F4: Save & Reset ESC: Exit
Channel 0 Slot 1 Size			Populated & Enabled 8192 (DDR4)		
Version 2.18.1263. Copyright (C) 2016 American Megatrends, Inc.					

Field Name	Channel [0:1] Slot 0
Help	Channel Slot status.
Comment	This field is not selectable. There is no help text associated with it.

Field Name	Size
Help	Memory Size in the Slot.
Comment	This field is not selectable. There is no help text associated with it.

Field Name	Max TOLUD
Default Value	[Dynamic]
Possible Value	Dynamic 2.5 GB 2.75 GB 3 GB 3.25 GB 3 GB
Help	Maximum Value of TOLUD. Dynamic assignment would adjust TOLUD automatically based on largest MMIO length of installed graphic controller

3.1.2 Graphics Configuration

Main	Advanced	Chipset	Security	Boot	Save & Exit
Graphics Configuration					Item help
Primary Display					[Auto]
Internal Graphics					[Auto]
GTT Size					[8MB]
Aperture Size					[256MB]
DVMT Pre-Allocated					[32M]
DVMT Total Gfx Mem					[256M]
▶ LCD Control					
					→←: Select Screen
					↑↓: Select Item
					Enter: Select
					+/- : Change Opt
					F1: General Help
					F2: Previous Values
					F3: Optimized Defaults
					F4: Save & Reset
					ESC: Exit
Version 2.18.1263. Copyright (C) 2016 American Megatrends, Inc.					

Field Name	Primary Display
Default Value	[Auto]
Possible Value	AUTO/IGFX/PEG/PCI/SG
Help	Select which of IGFX/PEG/PCI Graphics device should be Primary Display Or select SG for Switchable Gfx.

Field Name	Internal Graphics
Default Value	[AUTO]
Possible Value	AUTO/Disabled/Enabled
Help	Keep IGFX enabled based on the setup options.

Field Name	GTT Size
Default Value	[8MB]
Possible Value	2MB/4MB/8MB
Help	Select the GTT Size

Field Name	Aperture Size
Default Value	[256M]
Possible Value	128MB/256MB/512MB/1024MB/2048MB
Help	Select the Aperture Size Note : Above 4GB MMIO BIOS assignment is automatically enabled when selecting 2048MB aperture. To use this feature, please disable CSM Support.

Field Name	DVMT Pre-Allocated
Default Value	[32M]
Possible Value	32M / 64M / 16M / 20M / 24M / 28M / (32M/F7) / 36M / 40M / 44M / 48M / 52M / 56M / 60M
Help	Select DVMT 5.0 Pre-Allocated (Fixed) Graphics Memory size used by the Internal Graphics Device.

Field Name	DVMT Total Gfx Mem
Default Value	[256M]
Possible Value	128MB / 256MB / MAX
Help	Select DVMT5.0 Total Graphic Memory size used by the Internal Graphics Device.

Field Name	LCD Control
Help	LCD Control
Comment	Press Enter when selected to go into the associated Sub-Menu.

3.1.2.1 LCD Control

Main	Advanced	Chipset	Security	Boot	Save & Exit
LCD Control					Item help
Primary IGFX Boot Display					[VBIOS Default]
Secondary IGFX Boot Display					[Disabled]
Active LFP					[Disable LFP]
					→←: Select Screen ↑↓: Select Item Enter: Select +/- : Change Opt F1: General Help F2: Previous Values F3: Optimized Defaults F4: Save & Reset ESC: Exit
Version 2.18.1263. Copyright (C) 2016 American Megatrends, Inc.					

Field Name	Primary IGFX Boot Display
Default Value	[VBIOS Default]
Possible Value	VBIOS Default/DP /LFP /HDMI
Help	Select the Video Device which will be activated during POST. This has no effect if external graphics present. Secondary boot display selection will appear based on your selection. VGA modes will be supported only on primary display

Field Name	Secondary IGFX Boot Display
Default Value	[Disabled]
Possible Value	Disabled /DP/ HDMI
Help	Select Secondary Display Device.

Field Name	Active LFP
Default Value	[Disabled]
Possible Value	Enabled Disabled
Help	Select the Active LFP Configuration.

3.2 PCH-IO CONFIGURATION

Main	Advanced	Chipset	Security	Boot	Save & Exit
PCH-IO Configuration					Item help
▶ SATA And RST Configuration					→←: Select Screen ↑↓: Select Item Enter: Select +/- : Change Opt F1: General Help F2: Previous Values F3: Optimized Defaults F4: Save & Reset ESC: Exit
▶ HD Audio Configuration					
DeepSx Power Policies			[Disabled]		
Wake on LAN Enable			[Enabled]		
State After G3			[S5 State]		
Version 2.18.1263. Copyright (C) 2016 American Megatrends, Inc.					

Field Name	SATA And RST Configuration
Help	SATA Device Option Settings
Comment	Press Enter when selected to go into the associated Sub-Menu.

Field Name	HD Audio Configuration
Help	HD Audio Subsystem Configuration Settings
Comment	Press Enter when selected to go into the associated Sub-Menu.

Field Name	DeepSx Power Policies
Default Value	[Disabled]
Possible Value	Disabled Enabled in S4-S5
Help	Configure the DeepSx Mode configuration.

Field Name	Wake on LAN Enable
Default Value	[Enabled]
Possible Value	Enabled Disabled
Help	Enable/Disable integrated LAN to wake the system.

Field Name	State After G3
Default Value	[S5 State]
Possible Value	S0 State S5 State
Help	Specify what state to go to when power is re-applied after a power failure (G3 state).

3.2.1 SATA And RST Configuration

Main	Advanced	Chipset	Security	Boot	Save & Exit
SATA And RST Configuration					Item help
SATA Mode Selection [AHCI]					→←: Select Screen
Serial ATA Port 0 Empty					↑↓: Select Item
Mini Serial ATA Port 1 Empty					Enter: Select
Serial ATA Port 2 Empty					+/- : Change Opt
Serial ATA Port 3 Empty					F1: General Help
Serial ATA Port 4 Empty					F2: Previous Values
					F3: Optimized Defaults
					F4: Save & Reset
					ESC: Exit
Version 2.18.1263. Copyright (C) 2016 American Megatrends, Inc.					

Field Name	SATA Mode Selection
Default Value	[AHCI]
Possible Value	AHCI Intel RST Premium
Help	Determines how SATA controller(s) operate.

Field Name	Serial ATA Port [0:4]
Help	Serial ATA Port status
Comment	This field is not selectable. There is no help text associated with it.

3.2.2 HD Audio Configuration

Main		Advanced	Chipset	Boot	Security	Save & Exit
HD Audio Configuration						Item help
HD Audio [Auto]						→←: Select Screen ↑↓: Select Item Enter: Select +/- : Change Opt F1: General Help F2: Previous Values F3: Optimized Defaults F4: Save & Reset ESC: Exit
Version 2.18.1263. Copyright (C) 2016 American Megatrends, Inc.						

Field Name	HD Audio
Value	[Auto]
Possible Value	Auto / Enabled / Disabled
Help	Control Detection of the HD-Audio device. Disabled = HDA will be unconditionally disabled Enabled = HDA will be unconditionally enabled Auto = HDA will be enabled if present, disabled otherwise.

Comment	Press Enter when selected to go into the associated Sub-Menu.
---------	---

4.1 HDD SECURITY

Main	Advanced	Chipset	Security	Boot	Save & Exit
<p>HDD Password Description :</p> <p>Allows Access to Set, Modify and Clear HardDisk User and Master Passwords. User Password need to be installed for Enabling Security. Master Password can be Modified only when successfully unlocked with Master Password in POST.</p> <p>If the 'Set HDD Password' option is grayed out, do power cycle to enable the option again.</p> <p>HDD PASSWORD CONFIGURATION:</p> <p>Security Supported : Yes</p> <p>Security Enabled : No</p> <p>Security Locked : No</p> <p>Security Frozen : No</p> <p>HDD User Pwd Status : NOT INSTALLED</p> <p>Set User Password</p> <p>Set Master Password</p>					<p>Item help</p>
					<p>→←: Select Screen</p> <p>↑↓: Select Item</p> <p>Enter: Select</p> <p>+/- : Change Opt</p> <p>F1: General Help</p> <p>F2: Previous Values</p> <p>F3: Optimized Defaults</p> <p>F4: Save & Reset</p> <p>ESC: Exit</p>
Version 2.18.1263. Copyright (C) 2016 American Megatrends, Inc.					

Field Name	Set User Password
Help	Set HDD User Password. *** Advisable to Power Cycle System after Setting Hard Disk Passwords ***. Discard or Save changes option in setup does not have any impact on HDD when password is set or removed. If the 'Set HDD User Password' option is grayed out, do power cycle to enable the option again
Comment	

Field Name	Set Master Password
Help	Set HDD Master Password. \n*** Advisable to Power Cycle System after Setting Hard Disk Passwords ***\nDiscard or Save changes option in setup does not have any impact on HDD when password is set or removed. If the 'Set HDD Master option' is grayed out, user might have entered setup with user HDD Security privilege(expected) or else do power cycle to enable the option again
Comment	

4.2 SECURE BOOT MODE

Main	Advanced	Chipset	Security	Boot	Save & Exit	
System Mode					Setup	Item help
Secure Boot					Not Active	
Vendor Keys					Not Active	→←: Select Screen
Attempt Secure Boot					[Enabled]	↑↓: Select Item
Secure Boot Mode					[Standard]	Enter: Select
▶ Key Management						+/- : Change Opt
						F1: General Help
						F2: Previous Values
						F3: Optimized Defaults
						F4: Save & Reset
						ESC: Exit
Version 2.18.1263. Copyright (C) 2016 American Megatrends, Inc.						

Field Name	Attempt Secure Boot
Default Value	[Enabled]
Possible Value	Enabled Disabled
Help	Secure Boot activated when Platform Key(PK) is enrolled, System mode is User/Deployed,and CSM function is disabled

Field Name	Secure Boot Mode
Default Value	[Standard]
Possible Value	Standard Custom
Help	Secure Boot mode selector:Standard/Custom. In Custom mode Secure Boot Variables can be configured without authentication

Field Name	Key Management
Help	Enables expert users to modify Secure Boot Policy variables without full authentication
Comment	Press Enter when selected to go into the associated Sub-Menu.

4.3 KEY MANAGEMENT

Main	Advanced	Chipset	Security	Boot	Save & Exit																											
Provision Factory Defaults [Disabled]					Item help																											
<ul style="list-style-type: none"> ▶ Reset to Setup Mode ▶ Enroll Efi Image ▶ Save all Secure Boot variables 					→←: Select Screen ↑↓: Select Item Enter: Select +/- : Change Opt F1: General Help F2: Previous Values F3: Optimized Defaults F4: Save & Reset ESC: Exit																											
<table border="1" style="width: 100%; border-collapse: collapse;"> <thead> <tr> <th style="text-align: left;">Secure Boot variable</th> <th style="text-align: center;">Size</th> <th style="text-align: center;">Key#</th> <th style="text-align: left;">Key source</th> </tr> </thead> <tbody> <tr> <td>▶ Platform Key(PK)</td> <td style="text-align: center;">0</td> <td style="text-align: center;">0</td> <td></td> </tr> <tr> <td>▶ Key Exchange Key</td> <td style="text-align: center;">0</td> <td style="text-align: center;">0</td> <td></td> </tr> <tr> <td>▶ Authorized Signatures</td> <td style="text-align: center;">0</td> <td style="text-align: center;">0</td> <td></td> </tr> <tr> <td>▶ Forbidden Signatures</td> <td style="text-align: center;">0</td> <td style="text-align: center;">0</td> <td></td> </tr> <tr> <td>▶ Authorized TimeStamps</td> <td style="text-align: center;">0</td> <td style="text-align: center;">0</td> <td></td> </tr> <tr> <td>▶ OsRecovery Signatures</td> <td style="text-align: center;">0</td> <td style="text-align: center;">0</td> <td></td> </tr> </tbody> </table>						Secure Boot variable	Size	Key#	Key source	▶ Platform Key(PK)	0	0		▶ Key Exchange Key	0	0		▶ Authorized Signatures	0	0		▶ Forbidden Signatures	0	0		▶ Authorized TimeStamps	0	0		▶ OsRecovery Signatures	0	0
Secure Boot variable	Size	Key#	Key source																													
▶ Platform Key(PK)	0	0																														
▶ Key Exchange Key	0	0																														
▶ Authorized Signatures	0	0																														
▶ Forbidden Signatures	0	0																														
▶ Authorized TimeStamps	0	0																														
▶ OsRecovery Signatures	0	0																														
Version 2.18.1263. Copyright (C) 2016 American Megatrends, Inc.																																

Field Name	Provision Factory Defaults
Default Value	[Disabled]
Possible Value	Enabled Disabled
Help	Allow to provision factory default Secure Boot keys when System is in Setup Mode

Field Name	Reset to Setup Mode
Help	Force System to Setup Mode - clear all Secure Boot Variables
Comment	

Field Name	Save All Secure Boot Variables
Help	Allow the image to run in Secure Boot mode. Enroll SHA256 hash of the binary into Authorized Signature Database (db)
Comment	

Field Name	Save all Secure Boot variables
Help	Save NVRAM content of Secure Boot policy variables to the files (EFI_SIGNATURE_LIST data format) in root folder on a target file system device
Comment	

Field Name	Platform Key (PK)
Default Value	Size:0, Key#:0, Key source: *
Help	Enroll Factory Defaults or load certificates from a file: 1.Public Key Certificate in: a)EFI_SIGNATURE_LIST

	b)EFI_CERT_X509 (DER encoded) c)EFI_CERT_RSA2048 (bin) d)EFI_CERT_SHA256,384,512 2.Authenticated UEFI Variable 3.EFI PE/COFF Image(SHA256) Key Source: Default,External,Mixed,Test
comment	Press Enter when selected to go into the associated Sub-Menu “Key Management”.

Field Name	Key Exchange Key
Default Value	Size:0, Key#:0, Key source: *
Help	Enroll Factory Defaults or load certificates from a file: 1.Public Key Certificate in: a)EFI_SIGNATURE_LIST b)EFI_CERT_X509 (DER encoded) c)EFI_CERT_RSA2048 (bin) d)EFI_CERT_SHA256,384,512 2.Authenticated UEFI Variable 3.EFI PE/COFF Image(SHA256) Key Source: Default,External,Mixed,Test
comment	Press Enter when selected to go into the associated Sub-Menu.

Field Name	Authorized Signature
Default Value	Size:0, Key#:0, Key source: *
Help	Enroll Factory Defaults or load certificates from a file: 1.Public Key Certificate in: a)EFI_SIGNATURE_LIST b)EFI_CERT_X509 (DER encoded) c)EFI_CERT_RSA2048 (bin) d)EFI_CERT_SHA256,384,512 2.Authenticated UEFI Variable 3.EFI PE/COFF Image(SHA256) Key Source: Default,External,Mixed,Test
comment	Press Enter when selected to go into the associated Sub-Menu.

Field Name	Forbidden Signature
Default Value	Size:0, Key#:0, Key source: *
Help	Enroll Factory Defaults or load certificates from a file: 1.Public Key Certificate in: a)EFI_SIGNATURE_LIST b)EFI_CERT_X509 (DER encoded) c)EFI_CERT_RSA2048 (bin) d)EFI_CERT_SHA256,384,512 2.Authenticated UEFI Variable 3.EFI PE/COFF Image(SHA256) Key Source: Default,External,Mixed,Test
comment	Press Enter when selected to go into the associated Sub-Menu.

Field Name	Authorized TimeStamps
Default Value	Size:0, Key#:0, Key source: *
Help	Enroll Factory Defaults or load certificates from a file: 1.Public Key Certificate in:

	a)EFI_SIGNATURE_LIST b)EFI_CERT_X509 (DER encoded) c)EFI_CERT_RSA2048 (bin) d)EFI_CERT_SHA256,384,512 2.Authenticated UEFI Variable 3.EFI PE/COFF Image(SHA256) Key Source: Default,External,Mixed,Test
comment	Press Enter when selected to go into the associated Sub-Menu.

Field Name	OsRecovery Signatures
Default Value	Size:0, Key#:0, Key source: *
Help	Enroll Factory Defaults or load certificates from a file: 1.Public Key Certificate in: a)EFI_SIGNATURE_LIST b)EFI_CERT_X509 (DER encoded) c)EFI_CERT_RSA2048 (bin) d)EFI_CERT_SHA256,384,512 2.Authenticated UEFI Variable 3.EFI PE/COFF Image(SHA256) Key Source: Default,External,Mixed,Test
comment	Press Enter when selected to go into the associated Sub-Menu.

Field Name	Quiet Boot
Default Value	[Enabled]
Possible Value	Enabled Disabled
Help	Enables or Disables Quiet Boot option

Field Name	Boot mode select
Default Value	[UEFI]
Possible Value	LEGACY UEFI
Help	Select boot mode LEGACY/UEFI.

Field Name	Boot Option #1
Default Value	[Hard Disk]
Possible Value	Hard Disk, CD/DVD, USB Hard Disk, USB CD/DVD, USB Key, USB Floppy , USB Lan, Network, Disabled
Help	Sets the system boot order

Field Name	Boot Option #2
Default Value	[CD/DVD]
Possible Value	Hard Disk, CD/DVD, USB Hard Disk, USB CD/DVD, USB Key, USB Floppy , USB Lan, Network, Disabled
Help	Sets the system boot order

Field Name	Boot Option #3
Default Value	[USB Hard Disk]
Possible Value	Hard Disk, CD/DVD, USB Hard Disk, USB CD/DVD, USB Key, USB Floppy , USB Lan, Network, Disabled
Help	Sets the system boot order

Field Name	Boot Option #4
Default Value	[USB CD/DVD]
Possible Value	Hard Disk, CD/DVD, USB Hard Disk, USB CD/DVD, USB Key, USB Floppy , USB Lan, Network, Disabled
Help	Sets the system boot order

Field Name	Boot Option #5
Default Value	[USB Key]
Possible Value	Hard Disk, CD/DVD, USB Hard Disk, USB CD/DVD, USB Key, USB Floppy , USB Lan, Network, Disabled
Help	Sets the system boot order

Field Name	Boot Option #6
Default Value	[USB Floppy]
Possible Value	Hard Disk, CD/DVD, USB Hard Disk, USB CD/DVD, USB Key, USB Floppy , USB Lan, Network, Disabled
Help	Sets the system boot order

Field Name	Boot Option #7
Default Value	[USB Lan]
Possible Value	Hard Disk, CD/DVD, USB Hard Disk, USB CD/DVD, USB Key, USB Floppy , USB Lan, Network, Disabled
Help	Sets the system boot order

Field Name	Boot Option #8
Default Value	[Network]
Possible Value	Hard Disk, CD/DVD, USB Hard Disk, USB CD/DVD, USB Key, USB Floppy , USB Lan, Network, Disabled
Help	Sets the system boot order

Field Name	(UEFI) CD/DVD ROM Drive BBS Priorities
Help	Specifies the Boot Device Priority sequence from available CDROM/DVD Drives.
Comment	Press Enter when selected to go into the associated Sub-Menu.

Field Name	(UEFI) Hard Disk Drive BBS Priorities
Help	Specifies the Boot Device Priority sequence from available Hard Disk Drives.
Comment	Press Enter when selected to go into the associated Sub-Menu.

Field Name	(UEFI) NETWORK Drive BBS Priorities
Help	Specifies the Boot Device Priority sequence from available NETWORK Drives.
Comment	Press Enter when selected to go into the associated Sub-Menu.

Field Name	(UEFI) USB CD/DVD ROM Drive BBS Priorities
Help	Specifies the Boot Device Priority sequence from available USB CDROM/DVD Drives.
Comment	Press Enter when selected to go into the associated Sub-Menu.

Field Name	(UEFI) USB Hard Disk Drive BBS Priorities
Help	Specifies the Boot Device Priority sequence from available USB Hard Disk Drives.
Comment	Press Enter when selected to go into the associated Sub-Menu.

Field Name	(UEFI) USB KEY Drive BBS Priorities
Help	Specifies the Boot Device Priority sequence from available USB Key Drives.
Comment	Press Enter when selected to go into the associated Sub-Menu.

Field Name	USB Floppy Drive BBS Priorities (UEFI Boot Mode Not Support)
Help	Specifies the Boot Device Priority sequence from available USB Floppy Drives.
Comment	Press Enter when selected to go into the associated Sub-Menu.

5.1 (LIST BOOT DEVICE TYPE) DRIVE BBS PRIORITIES

Main	Advanced	Chipset	Security	Boot	Save & Exit
			Boot Option #1	[Boot Device Name 1]	Item help →←: Select Screen
			Boot Option #2	[Boot Device Name 2]	

	↑↓: Select Item Enter: Select +/- : Change Opt F1: General Help F2: Previous Values F3: Optimized Defaults F4: Save & Reset ESC: Exit
Version 2.18.1263. Copyright (C) 2016 American Megatrends, Inc.	

Field Name	Boot Option #1
Default Value	
Possible Value	Boot Device Name 1 of this type
Help	Sets the system boot order

Field Name	Boot Option #2
Default Value	
Possible Value	Boot Device Name 2 of this type
Help	Sets the system boot order

6. SAVE & EXIT PAGE

Main	Advanced	Chipset	Security	Boot	Save & Exit	
Save Options Discard Changes and Exit Save Changes and Reset Discard Changes and Reset Default Options Restore Defaults Save as user Defaults Restore user Defaults Boot Override						Item help →←: Select Screen ↑↓: Select Item Enter: Select +/- : Change Opt F1: General Help F2: Previous Values F3: Optimized Defaults F4: Save & Reset ESC: Exit
Version 2.18.1263. Copyright (C) 2016 American Megatrends, Inc.						

Field Name	Discard Changes and Exit
Help	Exit system setup without saving any changes.
Comment	

Field Name	Save Changes and Reset
Help	Reset the system after saving the changes.
Comment	

Field Name	Discard Changes and Reset
Help	Reset system setup without saving any changes.
Comment	

Field Name	Restore Defaults
Help	Restore/Load Default values for all the setup options.
Comment	

Field Name	Save as User Defaults
Help	Save the changes done so far as User Defaults.
Comment	

Field Name	Restore User Defaults
Help	Restore the User Defaults to all the setup options.
Comment	

